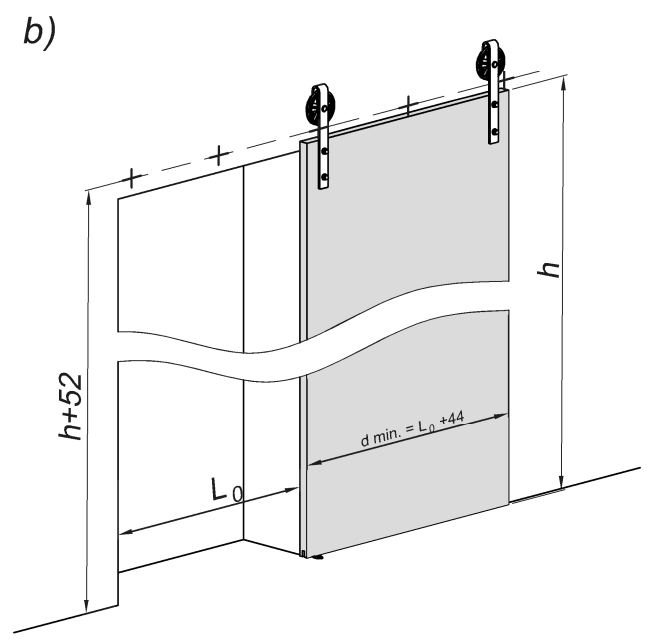
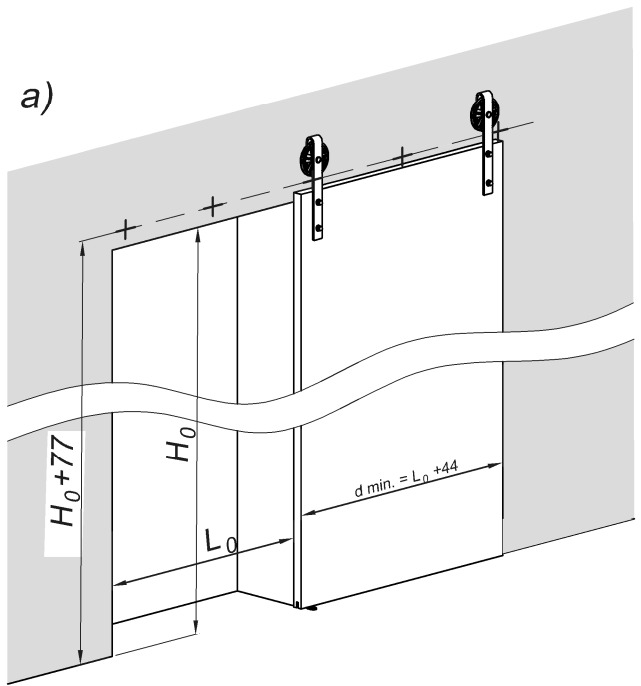
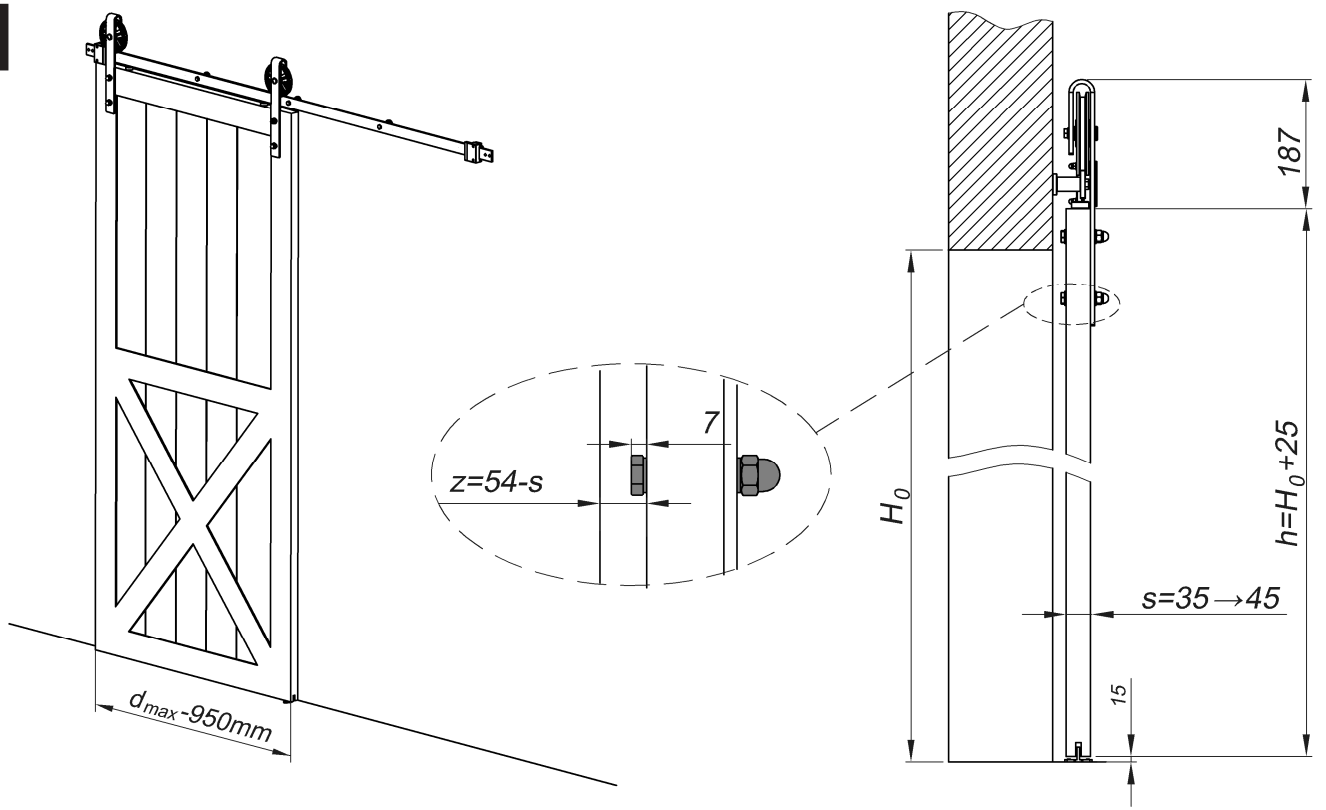
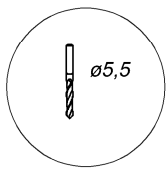
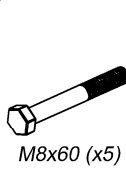


1



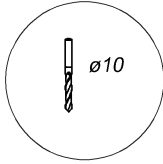


St 8x90
(x5)

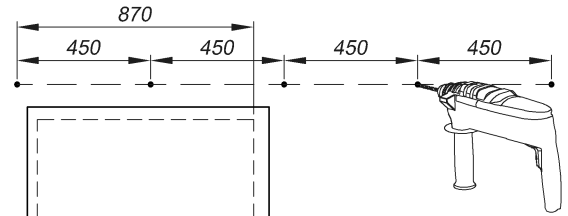


M8x60 (x5)

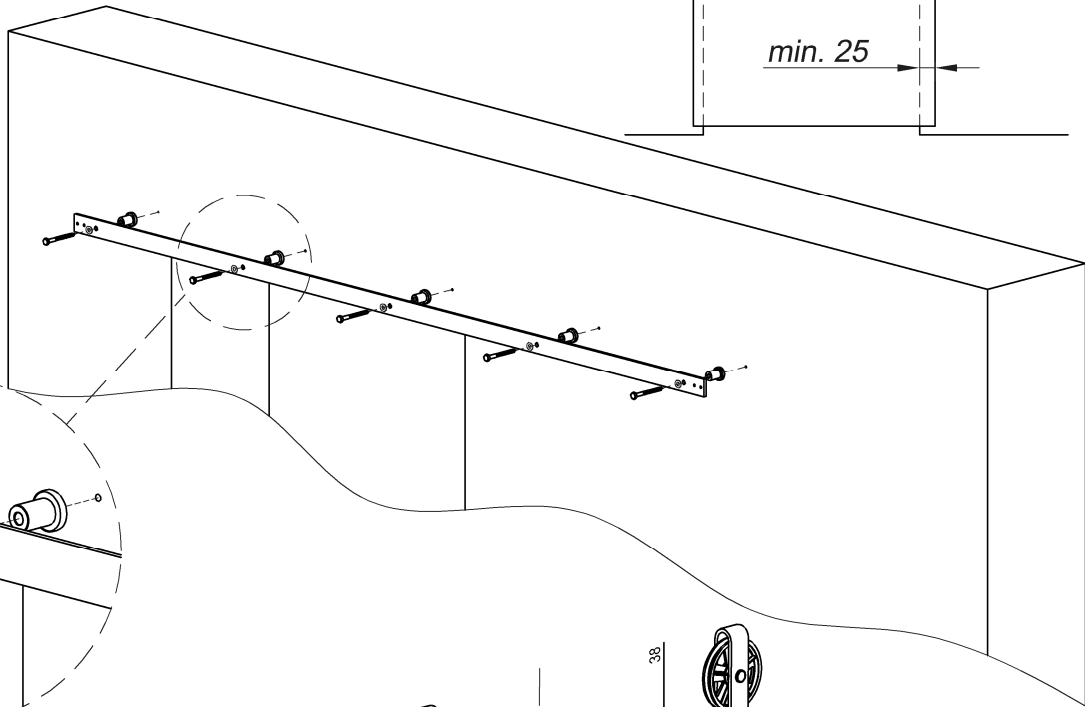
Ø10x30 (x5)



Ø10



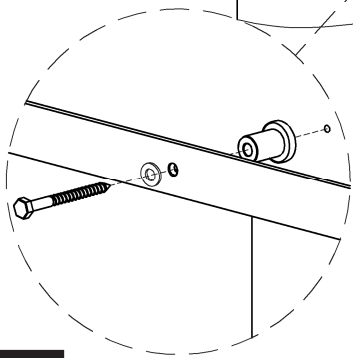
2



L_0

d

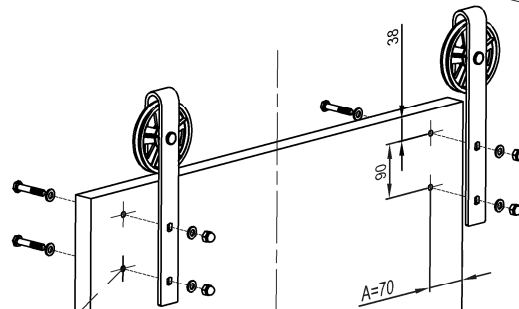
min. 25



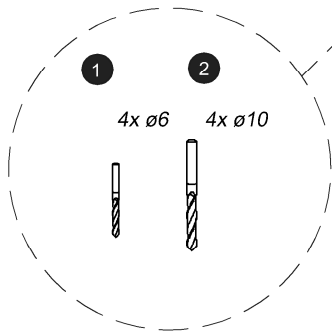
3

1 M10x55 s=35→40

2 M10x60 s=40→45



A=70

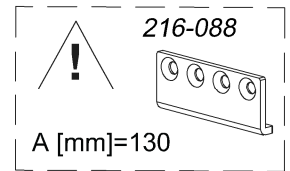


1

2

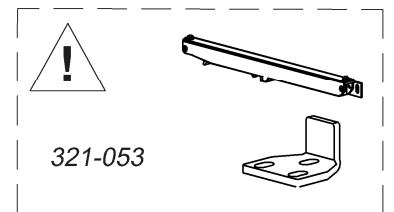
4x Ø6

4x Ø10



216-088

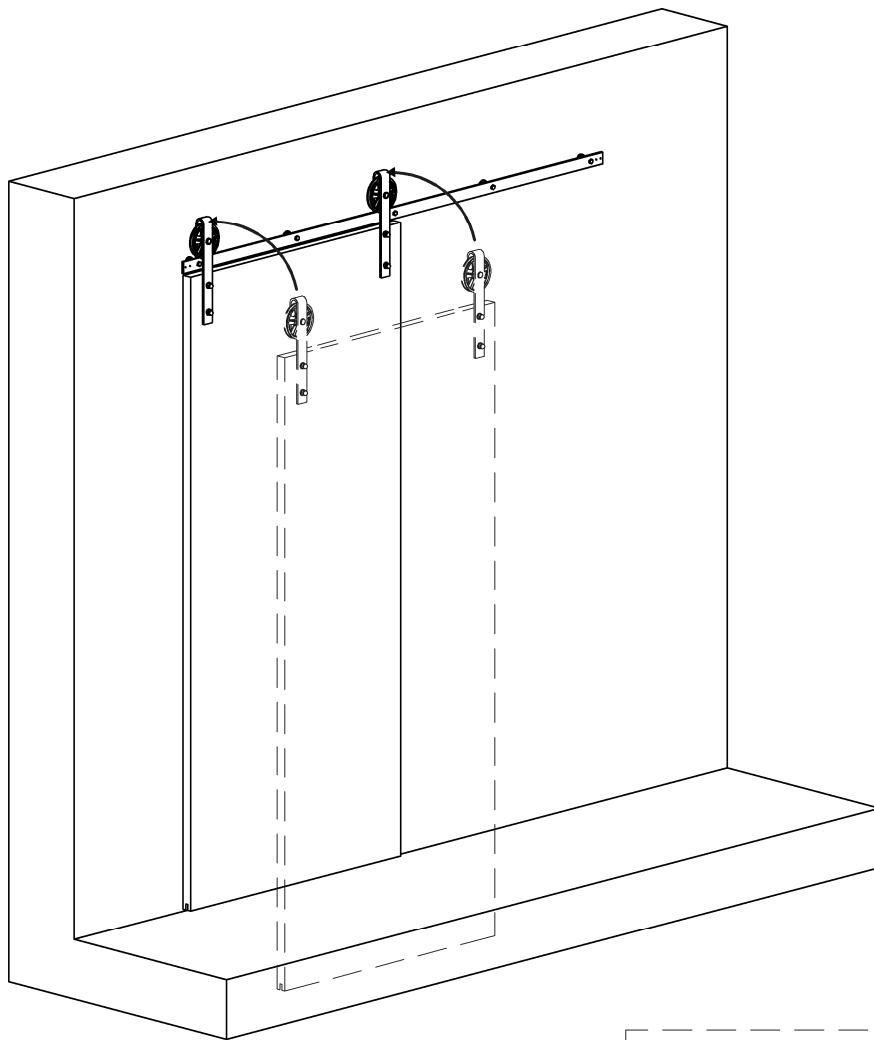
A [mm]=130



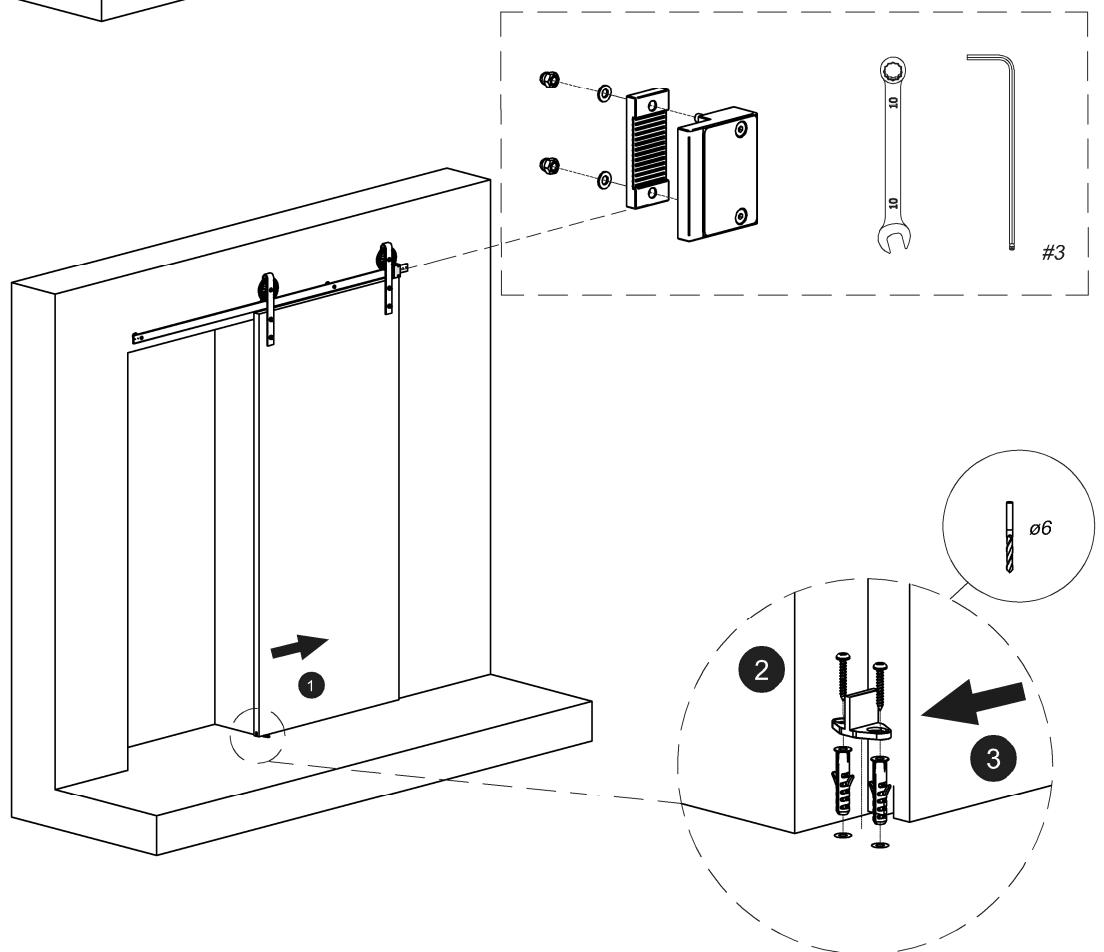
321-053



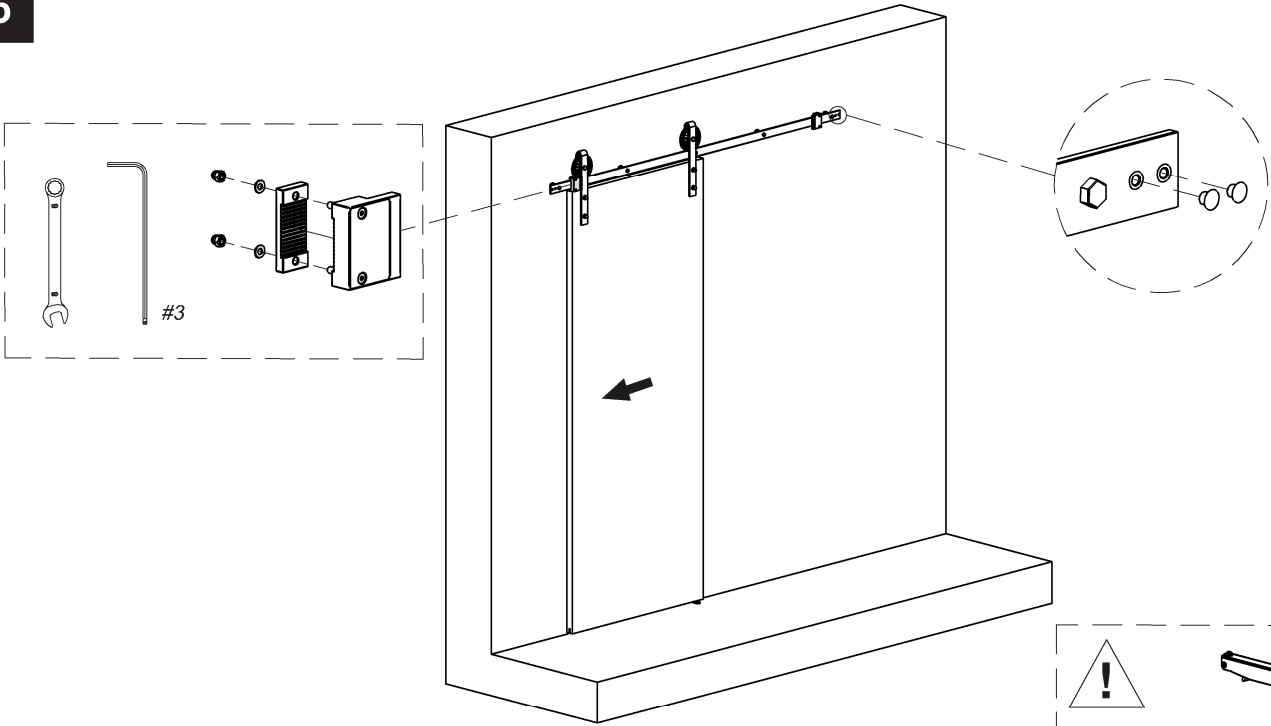
4



5



6



7

