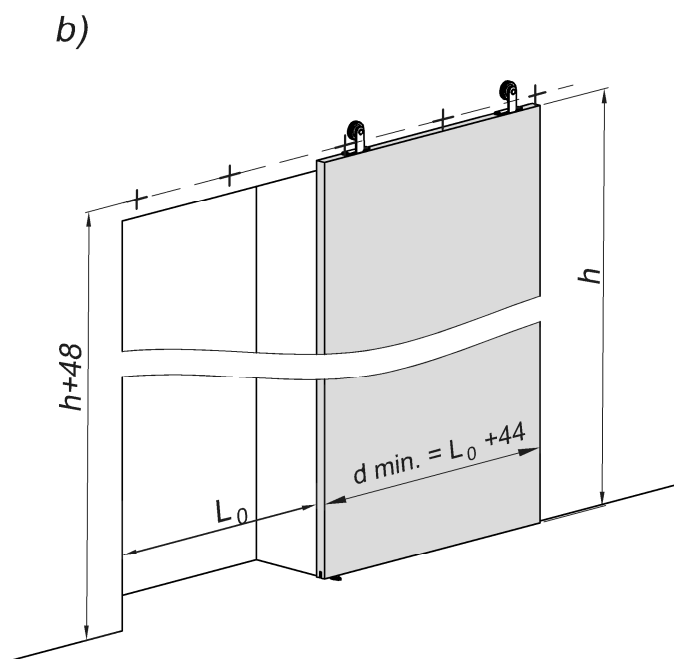
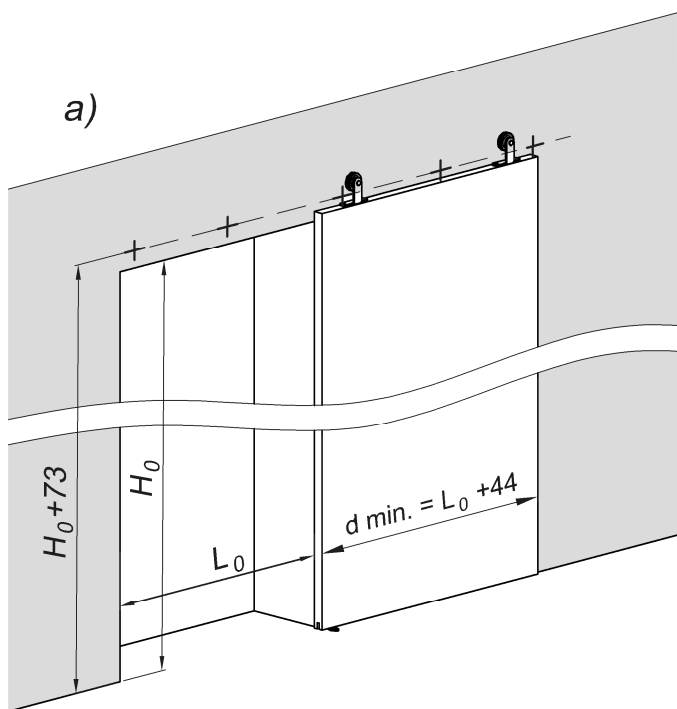
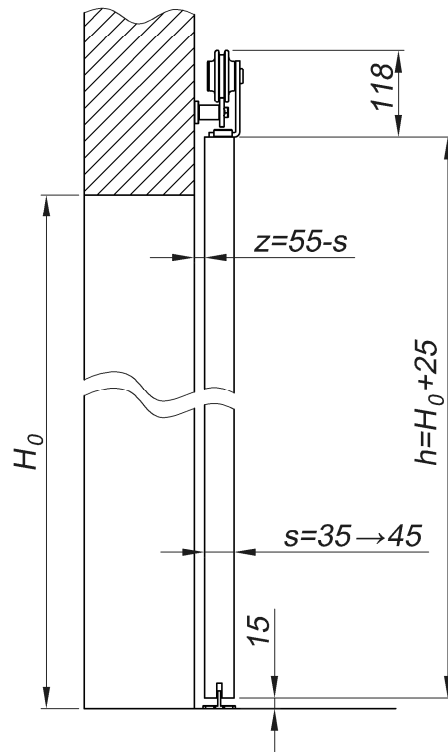
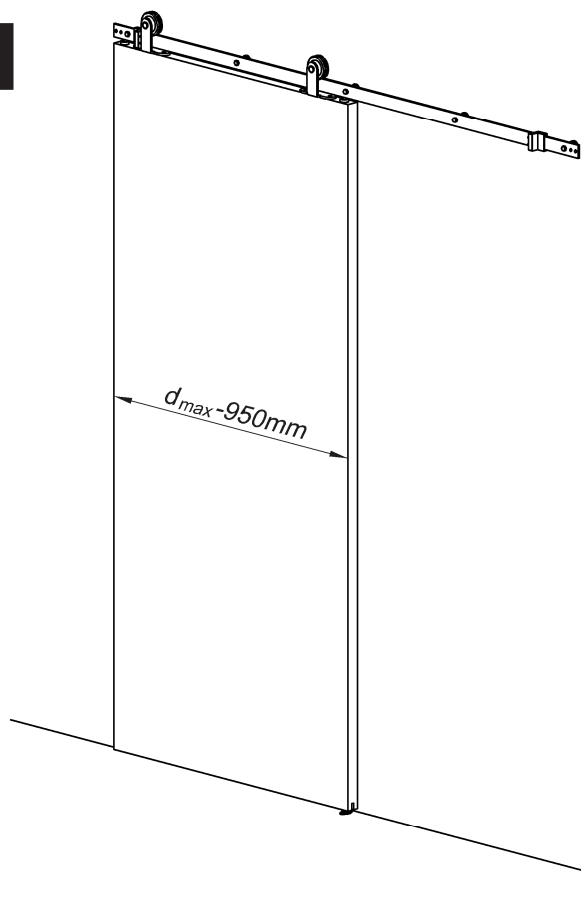
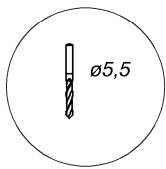
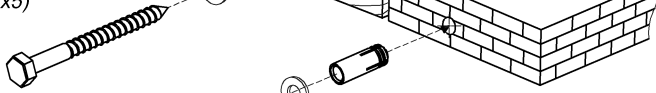


1

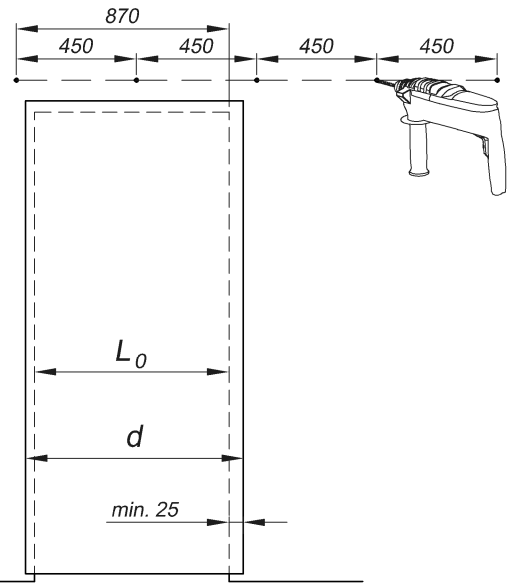
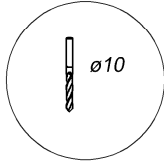




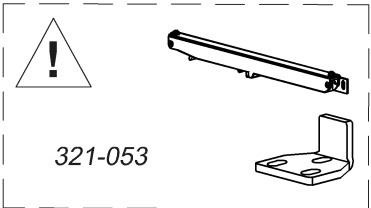
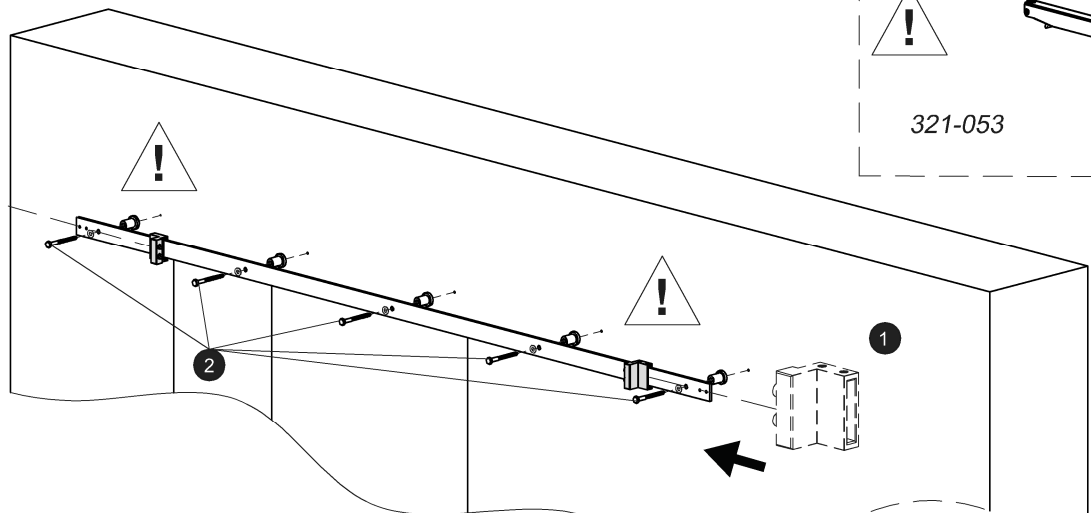
St 8x90
(x5)



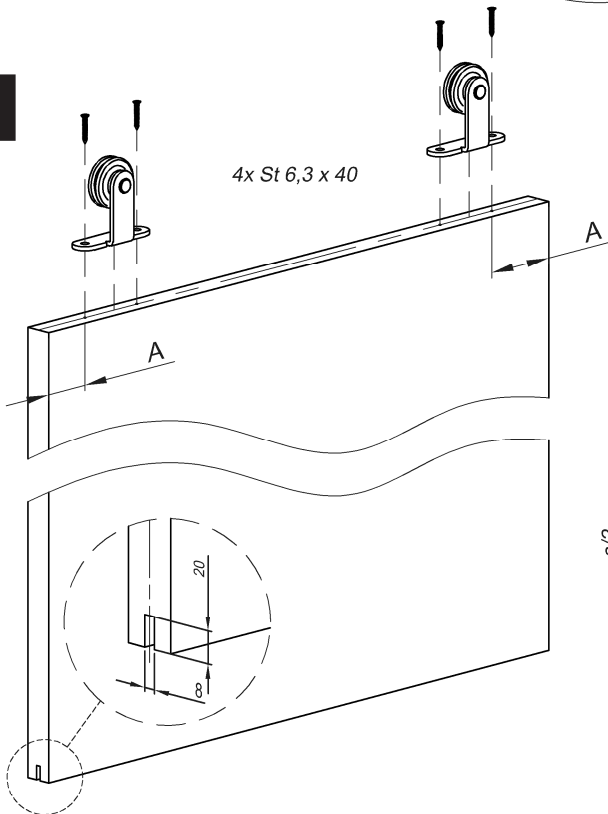
M8x60 (x5)
Ø10x30 (x5)



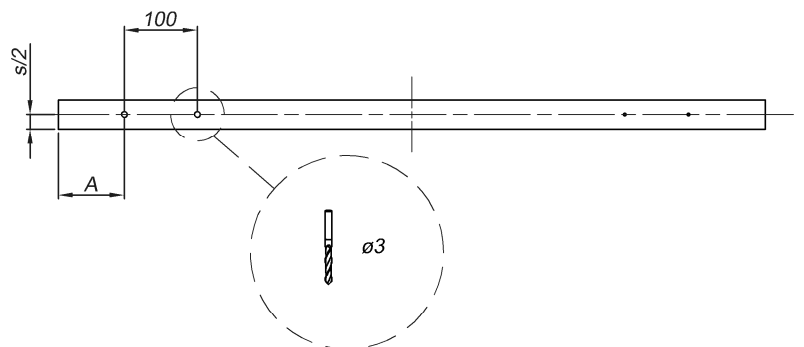
2



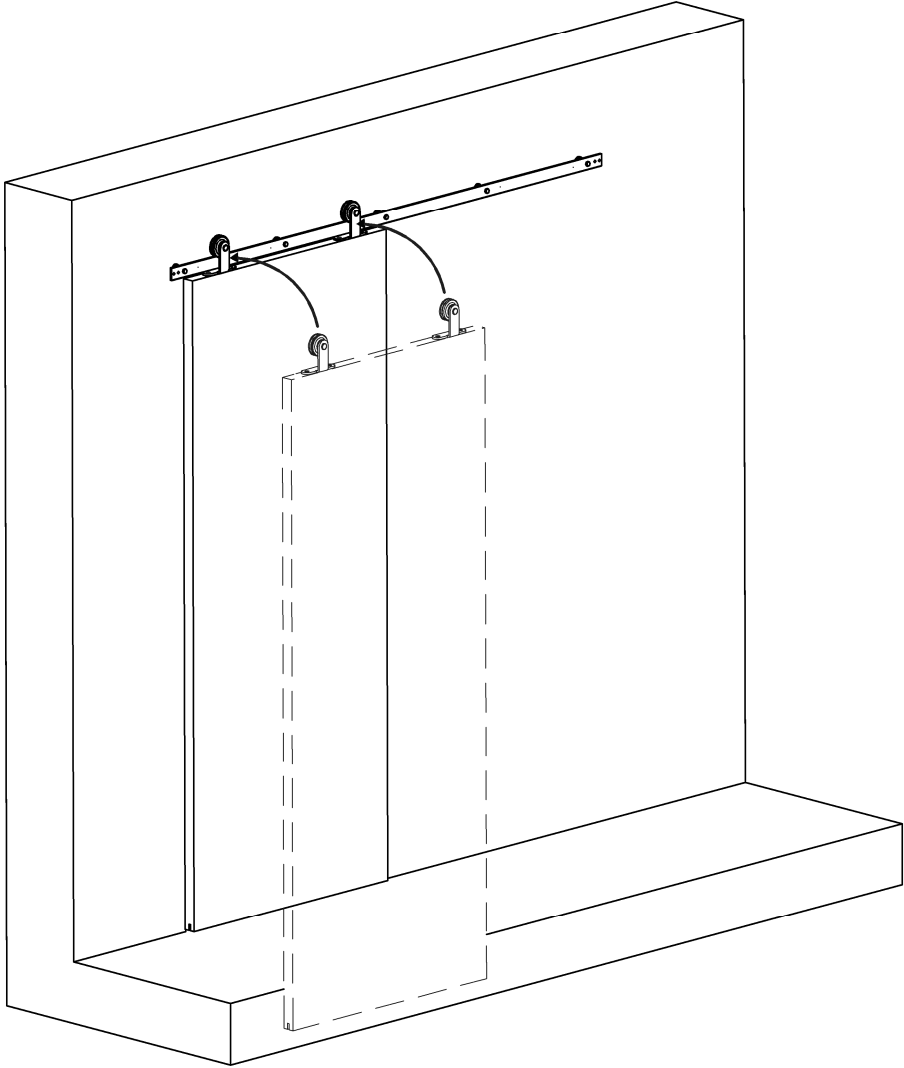
3



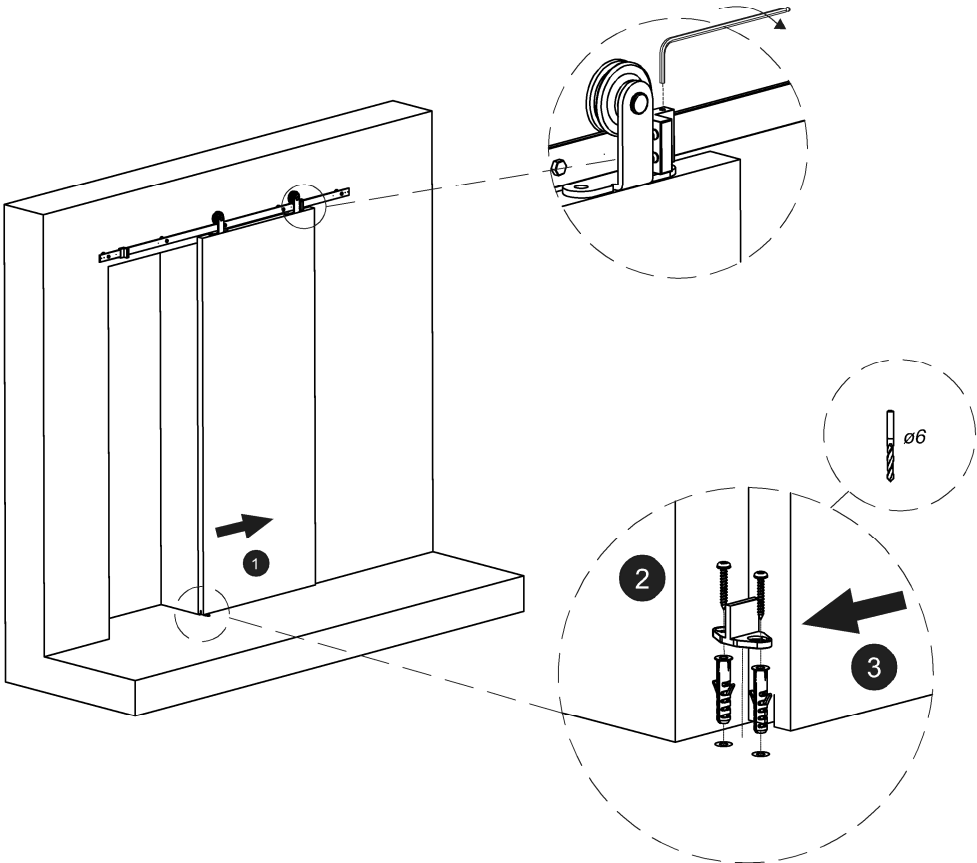
L_0 [mm]	$L_0 < 900$	$L_0 \geq 900$
A [mm]	40	90



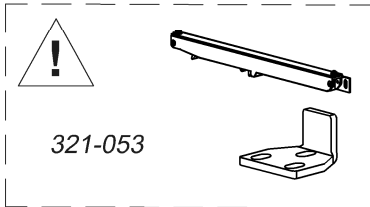
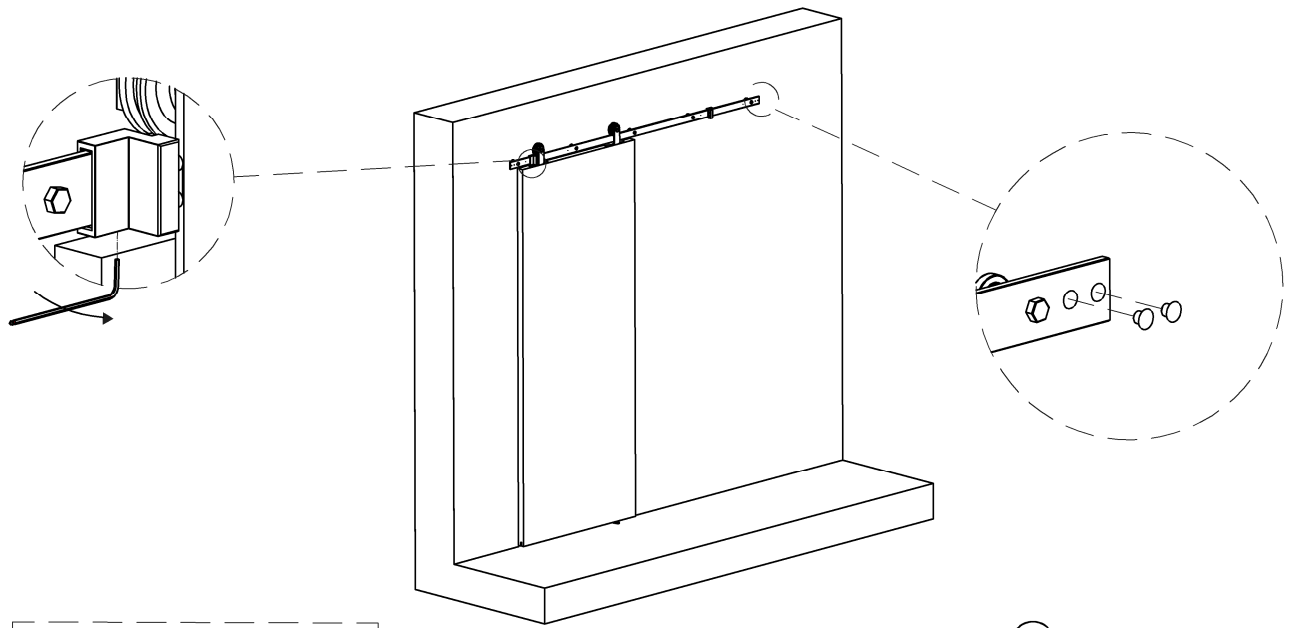
4



5



6



7

